

LBB 1950/10 Plena Tabletop Unidirectional Condenser Microphone

www.boschsecurity.com



BOSCH

Invented for life



- ▶ Stylish tabletop unidirectional condenser microphone on a flexible stem
- ▶ Phantom powered by amplifier
- ▶ Momentary or toggle PTT-key for calls with priority contact
- ▶ Green LED, indicating microphone active
- ▶ Stable metal base design with fixed 2 m cable and lockable DIN connector

The Plena tabletop microphone is a stylish, high-quality tabletop unidirectional condenser microphone, mainly intended for making calls in a public address system. Its heavy metal base and rubber feet ensure stability on any flat surface. The special design also allows the unit to be neatly flush-mounted in desktops.

Functions

The PTT-key (press-to-talk), not only switches on the microphone, but also provides priority contacts, that are compatible with the Plena range of amplifiers. The switching characteristic of the PTT-key can be configured internally for PTT-mode (on as long as pressed) or toggle-mode (press to switch on, press again to switch off).

It is equipped with a fixed, flexible 2 m cable and a 5-pin DIN connector for the balanced signal and the priority contacts. If the priority contacts are not required, the microphone can be connected to amplifiers with 3-pin XLR-inputs, using the DIN to XLR adapter.

A green LED indicates when the microphone is active.

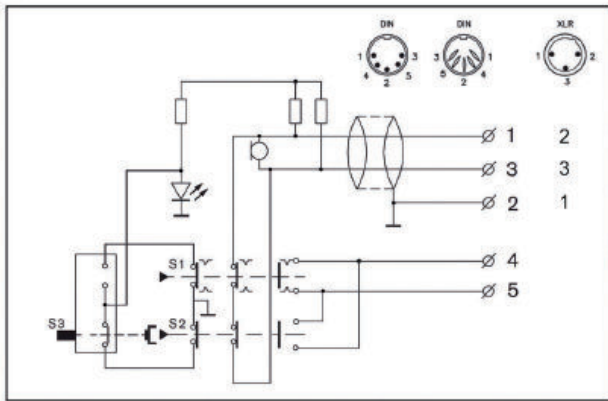
Controls and indicators

- PTT-key
- PTT status LED

Certifications and approvals

Safety	acc. to EN 60065
Immunity	acc. to EN 55103-2
Emission	acc. to EN 55103-1
Region	Certification
Europe	CE

Installation/configuration notes



Circuit diagram

Parts included

Quantity	Component
1	LBB 1950/10 PLENA Tabletop Unidirectional Condenser Microphone
1	DIN to XLR adapter

Technical specifications

Electrical

Phantom power supply	
Voltage range	12 to 48 V
Current consumption	<8 mA
Performance	
Sensitivity	0.7 mV @ 85 dB SPL (2 mV/Pa)
Maximum input sound level	110 dB SPL
Distortion	<0.6% (maximum input)
Input noise level (equiv.)	28 dB SPLA (S/N 66 dBA ref. 1 Pa)
Frequency response	100 Hz to 16 kHz
Output impedance	200 ohm

Mechanical

Base dimensions (H x W x D)	40 x 100 x 235 mm (1.57 x 3.97 x 9.25 in)
Weight	Approx. 1 kg (2.2 lb)
Color	Charcoal with silver
Stem length with mic	390 mm (15.35 in)
Cable length	2 m (6.56 ft)

Environmental

Operating temperature	-10 °C to +55 °C (14 °F to +131 °F)
Storage temperature	-40 °C to +70 °C (-40 °F to +158 °F)
Relative humidity	<95%

Ordering information

LBB 1950/10 Plena Tabletop Unidirectional Condenser Microphone

tabletop unidirectional condenser microphone on a flexible stem.

Order number **LBB1950/10**

Accessories

LBC 1102/02 Cable Transformer

for galvanic separation

Order number **LBC1102/02**

LBC 1080/00 Microphone Cable

length 100 m; 2 x 0.13 mm²

Order number **LBC1080/00**

LBC 1082/00 Microphone Cable

length 100 m; 2 x 0.75 mm²

Order number **LBC1082/00**

LBC 1081/00 Microphone Cable

length 100 m; 4 x 0.14 mm²

Order number **LBC1081/00**

Represented by:

Americas:

Bosch Security Systems, Inc.
12000 Portland Avenue South
Burnsville MN 55337, USA
Phone: +1-800-392-3497
Fax: +1-800-955-6831
audiosupport@us.bosch.com
www.boschsecurity.com

Europe, Middle East, Africa:

Bosch Security Systems B.V.
P.O. Box 80002
5617 BA Eindhoven, The Netherlands
Phone: + 31 40 2577 284
Fax: +31 40 2577 330
emea.securitysystems@bosch.com
www.boschsecurity.com

Asia-Pacific:

Robert Bosch (SEA) Pte Ltd, Security
Systems
11 Bishan Street 21
Singapore 573943
Phone: +65 6571 2808
Fax: +65 6571 2699
apr.securitysystems@bosch.com
www.boschsecurity.asia

China:

Bosch (Shanghai) Security Systems Ltd.
201 Building, No. 333 Fuquan Road
North IBP
Changning District, Shanghai
200335 China
Phone +86 21 22181111
Fax: +86 21 22182398
www.boschsecurity.com.cn

America Latina:

Robert Bosch Ltda Security Systems Division
Via Anhanguera, Km 98
CEP 13065-900
Campinas, Sao Paulo, Brazil
Phone: +55 19 2103 2860
Fax: +55 19 2103 2862
al.securitysystems@bosch.com
www.boschsecurity.com